

HTPA160x120dR1L3.95/0.8

Datasheet for Thermopile Array Sensor with Lens Optic

DISCLAIMER

We reserve the right to correct or update the content, technical specifications or product descriptions at any time without prior notification.

All information is provided "as is", without any warranty, express or implied, including but not limited to warranties of merchantability or fitness for a particular purpose.

To ensure you are using the most up-to-date and accurate version, please always refer to the latest edition available on our official website.

Only the version published on the website shall be considered authoritative and current.

Content

Changelog	3
1 Important Handling Notice for the Internal Flash Memory	4
2 Cleaning and Handling of Sensors with Optical Elements	4
3 Principal Schematic for HTPA160x120d	7
4 Pin Assignment – Bottom View	7
5 Optical Orientation	8
6 Order Code Example	9
7 Application Note	10
8 Serial Order of Frame	11
9 Characteristics	12
9.1 Common Specifications	12
9.2 Optical Characteristics	12
10 Electric Specifications	14
11 SPI Timings HTPA160x120d	15
12 SPI Communication	16
12.1 Write Command	16
12.2 Read Command	16
12.3 Sensor Commands	17
13 Integrated Flash Memory	21
14 SPI Example Sequences – Init and Read Thermopile Array	21
15 Temperature Calculation	22
15.1 Ambient Temperature	24
15.2 Thermal Offset	24
15.3 Electrical Offset	25
15.4 Vdd Compensation	25
15.5 Object Temperature	27
16 Example Calculation	28
16.1 Pixel Masking	30
16.2 Look-up Table	32
17 Order Code Chart	33
18 Outer Dimension	34

Changelog

2024-03-12	Initial Release
2024-05-21	Added a Handling Notice for Internal Flash Memory
2024-12-20	Updated Optical Orientation Graph
2025-01-31	Updated order code, added order code chart w/ available options
2025-02-27	Corrected Trim Registers 10 and 11, changed from 5-Bit to 8-Bit
2025-03-25	Corrected Field of View for L3.95 and L10/072
2025-04-09	Corrected pin allocations
2025-04-28	Updated operating conditions for IDD running, idle and standby
2025-08-18	Corrected graphic for pixel orientation
2025-10-16	Added max. measurable temperature
2025-11-18	Corrected accuracy specification
2025-03-02	Added calculation formula for CLK_Trim Register
2025-03-09	Corrected Field of View for L3.95
2026-03-25	Added NETD vs pixel distance for L3.95 and L10.072

1 Important Handling Notice for the Internal Flash Memory

To ensure the stability and functionality of the flash memory, it is extremely important to read and follow the instructions below. **Failure to do so may result in the loss of memory content:**

- Absolutely **no hot plugging** – always plug the sensor into a de-energized socket!
- Use the adequate library – usage of wrong code can cause a reset of the flash. For example, the libraries for a HTPAd device with an EEPROM will delete the flash permanently!
- Do not unplug the sensor during communication!
- In case of voltage drop: Try to stop communication to the flash immediately, especially during a brown out.
- At initialization of the IOs make sure the *SSEL pin* is initialized as soon as possible and keep the *status* high immediately to make sure there is no traffic to the flash memory during the initialization of the pins!
- Do not flash the master board while the sensor is inserted!

2 Cleaning and Handling of Sensors with Optical Elements

Cleaning of Filter with Isopropyl Alcohol or Acetone

This is the method most universally used for cleaning optical elements with or without coatings. Filters or lenses mounted in our sensors may be cleaned rubbing the surfaces lightly with a clean, soft, all-cotton cloth or cotton swab during immersion in solvent or simply moistened with the solvent. The parts are then immediately wiped dry with another clean, soft, all-cotton cloth or cotton swab.

Cleaning with Detergent and Water

A very mild, non-abrasive detergent (one which does not contain additives) and water may also be used for cleaning optical elements. In general, a detergent and water mixture is an excellent method for removing fingerprints and other smudges. The liquid detergent is first mixed with deionized water (proportions recommended by the manufacturer should be followed). The element is then washed, rinsed, and immediately wiped dry. Use a clean, soft cloth when cleaning and drying. If the part is allowed to dry in air, a permanent stain may result.

Please note:

- Do not use isopropyl alcohol or acetone or detergent if the elements will be mounted in an assembly with a finish which may be soluble by these solvents.
- Please avoid glass isolation being moistened by solvent.
- If the part is allowed to dry in air, a permanent stain may result.

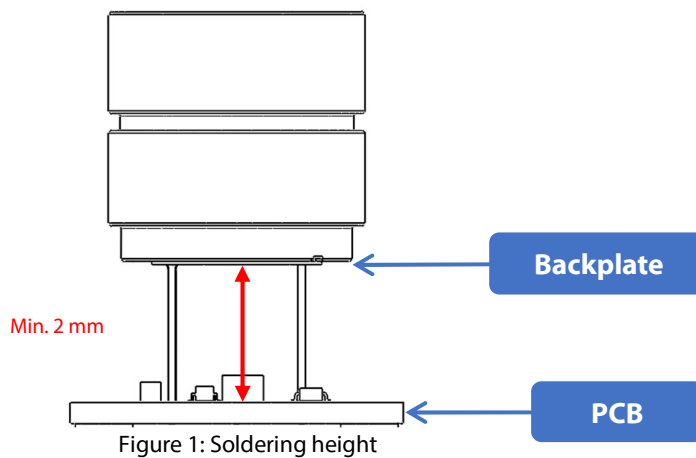
Handling Advice

Sensors with optical elements deserve special consideration in their handling and care. Ordinarily, filters or lenses are cleaned and inspected prior to shipment. If proper care is exercised during handling cleaning should not be necessary prior to use.

- Wear gloves when handling a sensor or optical element. Lightweight nylon or cotton gloves which are relatively lint-free are recommended.
- Avoid touching the surface of filters and lenses.
- Protect devices from static discharge and static fields.
- Thermopile sensors are electrostatic sensitive devices. Sensors should be handled over an electrostatic protected work area.
- Precautions should be taken to avoid reverse polarity of power supply for sensors with integrated signal processing. Reversed polarity of power supply results in a destroyed unit.
- Sensors should rest preferably in a partitioned container where the mounted filters or lenses will be not coming into contact with other material.
- During storage optical surfaces should be covered to avoid contamination from the surrounding environment.
- A covered container can eliminate damage during transportation and storage.
- Sensors or optical elements should be stored in a restricted access area to eliminate handling.
- Do not expose the sensors to aggressive detergents such as freon, trichlorethylen, etc.
- Avoid rotating the sensors when they are soldered into a PCB or something similar.
- Shortening of the pins is not suggested. This may cause cracks in the glass of the pins and result in a leakage.
- If this is necessary, a tool for this is recommended. Please contact Heimann Sensor for further information.

Soldering Recommendations

Attention: For all of our array sensors we give no guarantee on the calibration and its performance if the pins are shortened by the customer. Additionally, **we strongly recommend to not solder the sensor with its backplate directly to a PCB.** This will cause different thermal conductivity compared to air and the measurement results could get worse. **Use a minimum gap between PCB and backplate of 2 mm or more.** The glass of the pins to the back plate can get damage by applying high temperatures (during soldering), which will lead into a lower temperature reading what cannot be repaired afterwards.



Manual Iron Soldering and Automatic Point-to-Point Iron Soldering

Manual Iron Soldering and Automatic Point-to-Point Iron Soldering methods are allowed for TO packages. It is recommended for through hole applications to shield the package body from soldering heat by PCB or similar.

The soldering iron temperature should be set as low as possible (maximum 350 °C) and should not exceed recommended soldering time (maximum 3 seconds). The minimum distance between the housing body and the liquid solder should be at least 1.5 mm for 350 °C. Reflow soldering is not recommended.

3 Principal Schematic for HTPA160x120d

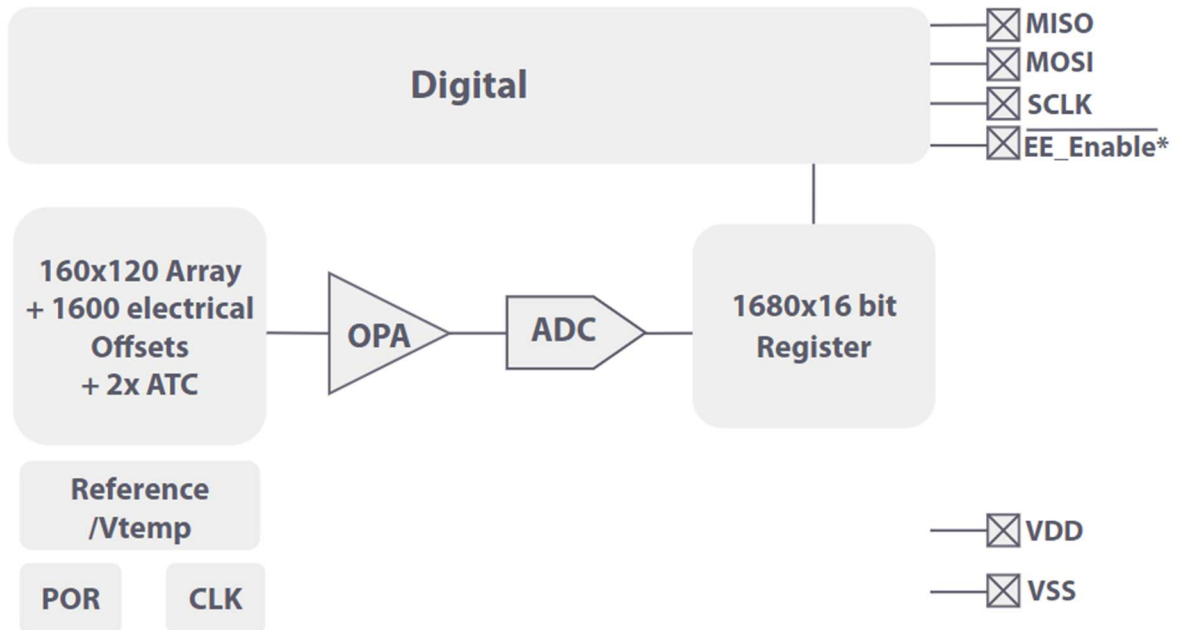


Figure 2: Schematic for HTPA160x120d

* EE_Enable : The slave select is used to switch communication between sensor and flash.
 The ATC is an Ambient Transient Compensation, which can be used for heat-shock compensation.

4 Pin Assignment – Bottom View

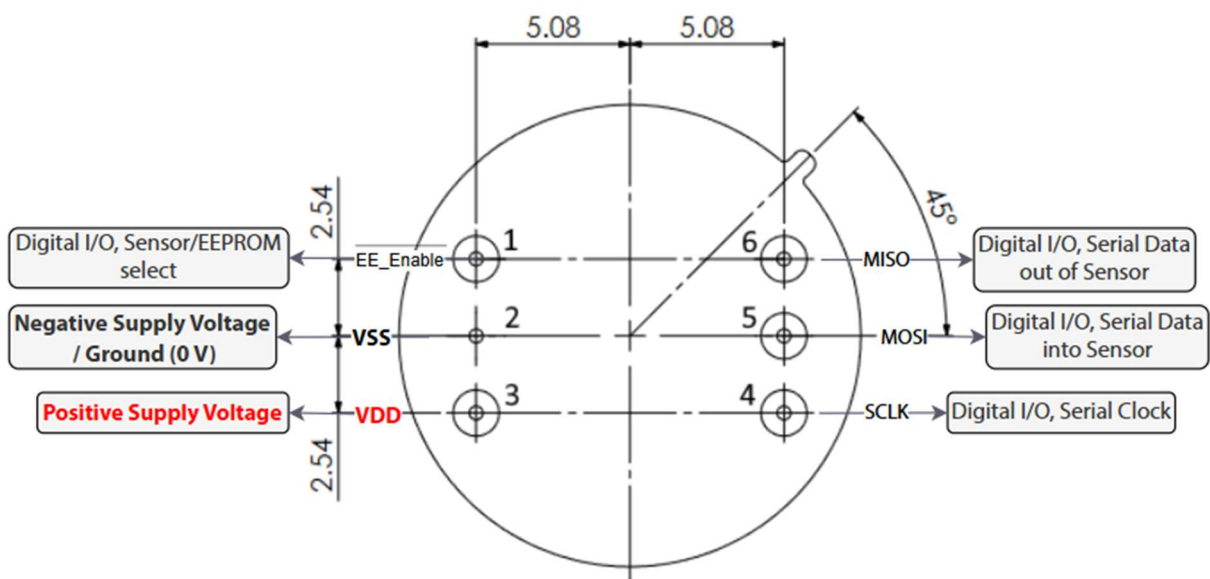
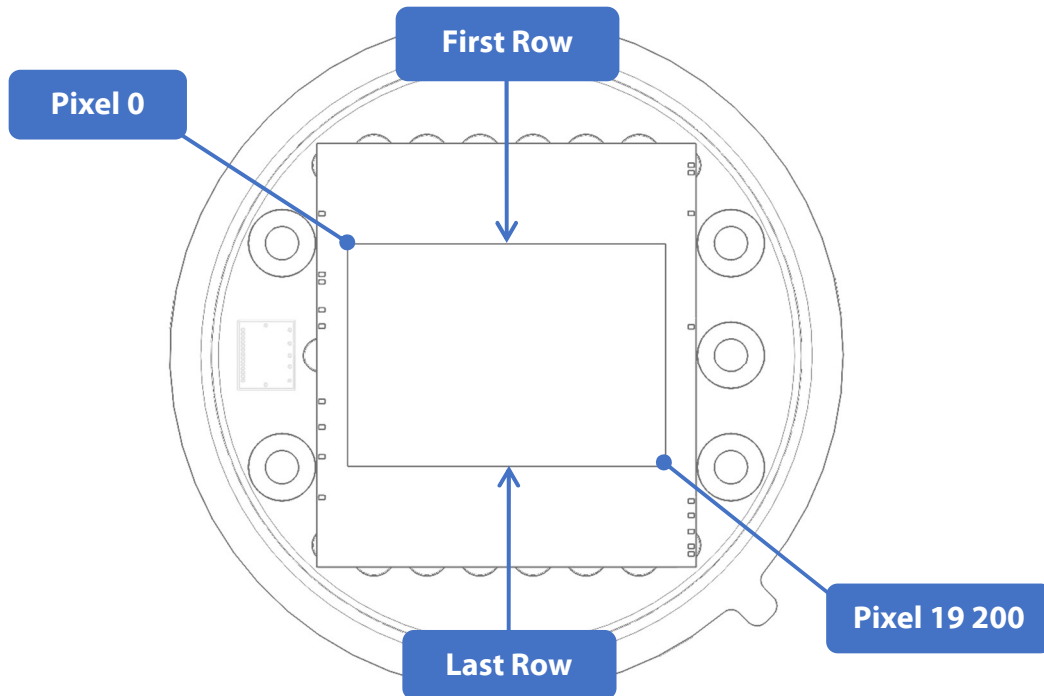
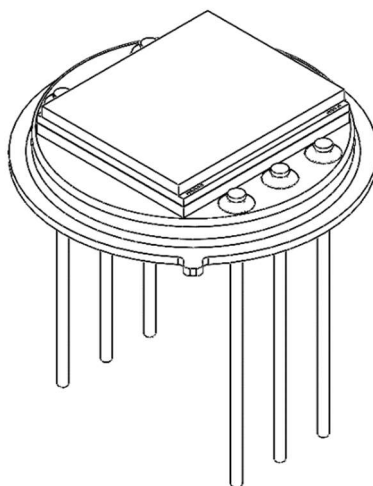


Figure 3: Pin-allocation

5 Optical Orientation



This illustration shows the pixel orientation after mirroring through the lens.



6 Order Code Example

HTPA32x32d	R2	L5.0/0.85	F7.7	e	Hi	M	(UDP)
1	2	3	4	5	6	7	8

		Description
1	Sensor Type	TP Array with 32x32 Pixel For all available HTPA and module combinations contact our support
2	Revision	Silicon revision 2
3	Optics	Focal length/F-Number Focal length: L5.0 = 5.0 mm F-Number: 0.85
4	Filter	F: Filter characteristics Not declared: Broadband AR Coating
5	External Aperture	Not declared: without external aperture e: with external aperture
6	Sensitivity	UHi: increased sensitivity Hi: default sensitivity Not declared: lower sensitivity (greater measurement range)
7	Version	A: Application Set: comes with GUI, housing, power supply C: Calibrated sensor M: Modul: HTPA sensor soldered to PCB, calibrated stream
8	Interface	UDP: Ethernet connection, CAT5 PoE: Power over Ethernet, CAT5* i ² C: 4 Pin Connector* USB: Power and data via USB 2.0** * Interface option is only available for modules (HiM) ** Interface option is only available for Application Set (HiA)

7 Application Note

This Application Note is giving a short recommendation for the connection of the HTPA160x120d to achieve the best performance. Adding 100 nF and 47 μ F improves the stability of the supply voltage.

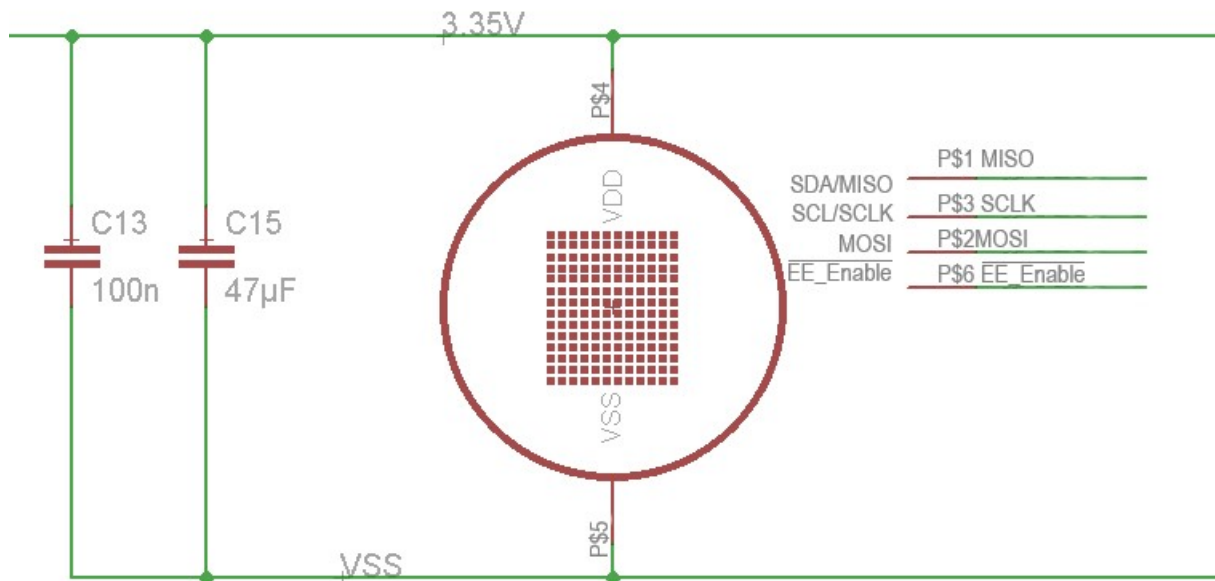


Figure 4: Recommended circuit for operation

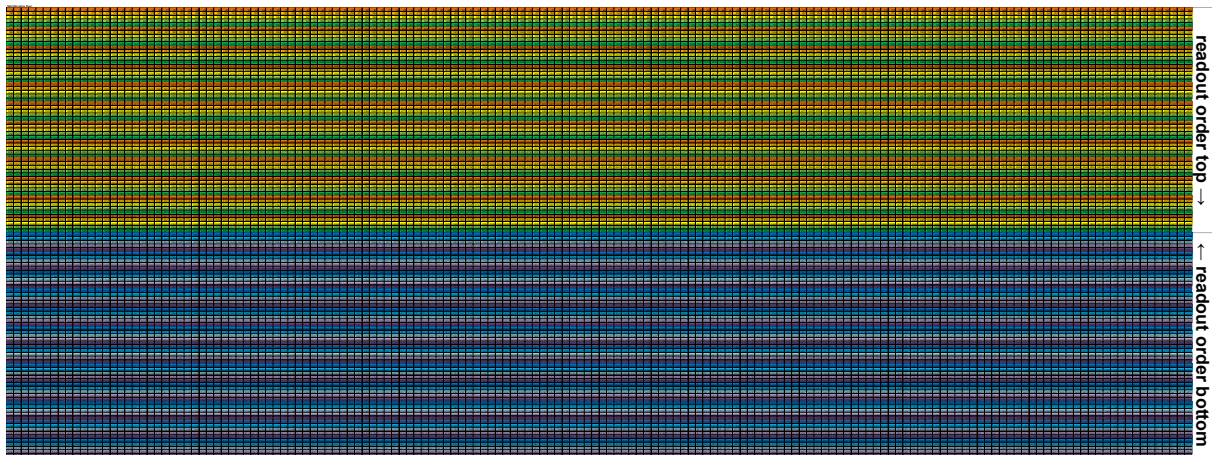
The sensor can be powered directly via 3.35 V if the supply voltage is stable enough, this has to be measured before and tested with the sensor. It is important to not insert any inductor or otherwise the noise will increase.

8 Serial Order of Frame

The sensor is divided into two parts (top and bottom half) which are again separated into 12 blocks. The readout order is shown below for the different blocks.

Block 0 (top)
Block 1 (top)
Block 2 (top)
Block 3 (top)
Block 4 (top)
Block 5 (top)
Block 6 (top)
Block 7 (top)
Block 8 (top)
Block 9 (top)
Block 10 (top)
Block 11 (top)
Block 11 (bottom)
Block 10 (bottom)
Block 9 (bottom)
Block 8 (bottom)
Block 7 (bottom)
Block 6 (bottom)
Block 5 (bottom)
Block 4 (bottom)
Block 3 (bottom)
Block 2 (bottom)
Block 1 (bottom)
Block 0 (bottom)

Whenever a conversion is started, the block x of the top and bottom half are measured at the same time. Each block consists of 800 Pixel, that are sampled fully parallel. The readout order on the bottom half is mirrored compared to the top half, so that the central lines are always read last.



The electrical offsets are sampled according to the top and bottom half. The matching rows for the corresponding electrical offsets and active Pixel are marked with the same color. The conversion of the electrical offsets is started by setting the BLIND bit during the start command.



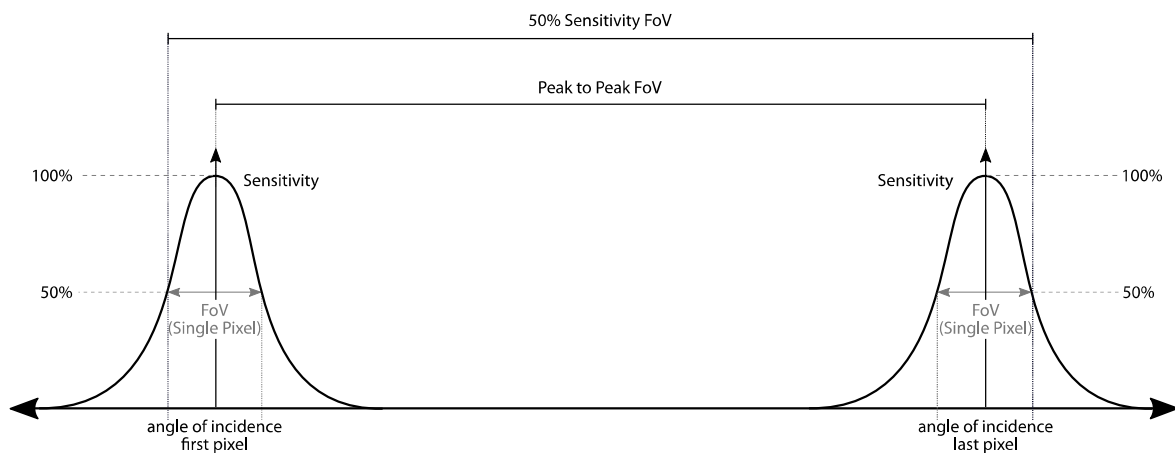
9 Characteristics

9.1 Common Specifications

Technology:	n-poly/p-poly Si
Thermal pixel time constant:	TBD
Digital Interface:	SPI
Flash size:	2048 kByte
Pitch:	45 μm
Absorber size:	40 μm
Max. Framerate:	16 Hz
Max. measurable temperature:	400°C with RefCal0 settings
19020 sensitive elements	

9.2 Optical Characteristics

Focal length:	3.95 mm ("L" equals the focal length of the lens)
F-Number:	0.8
Field of view:	121 x 81 deg. (50 % sensitivity FoV)



Lens coating:	AR-Coating; average reflectance per surface Cut On (Tr. 5 %): 5.0 $\mu\text{m} \pm 0.3 \mu\text{m}$
Accuracy:	$\pm 3 \%$ or $\pm 3 \text{ K}$ (whatever is larger) in the working ambient temperature range of 5° to 50 °C and object temperatures \leq to 300 °C

The radiometric radius is specified for pixels listed below with a "1". All pixels outside this area can have a higher tolerance and less accuracy.

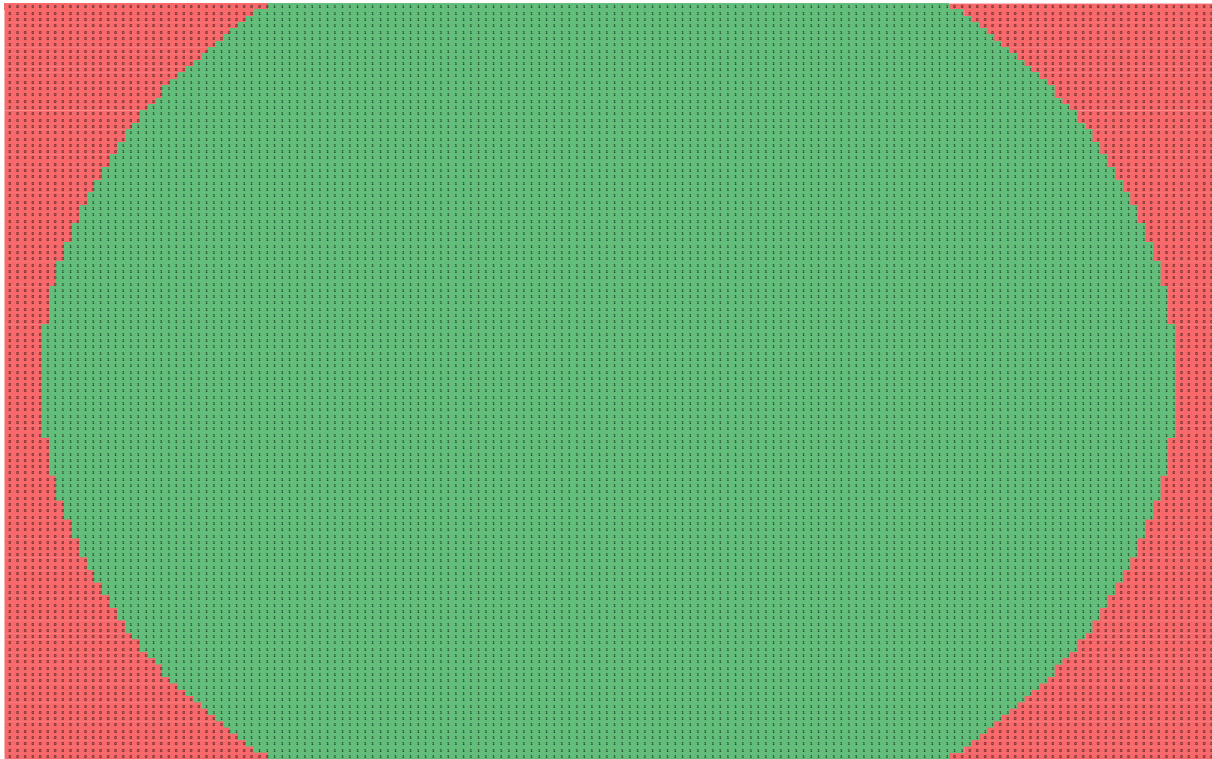


Figure 5: Radiometric radius in a matrix of 160x120 pixels

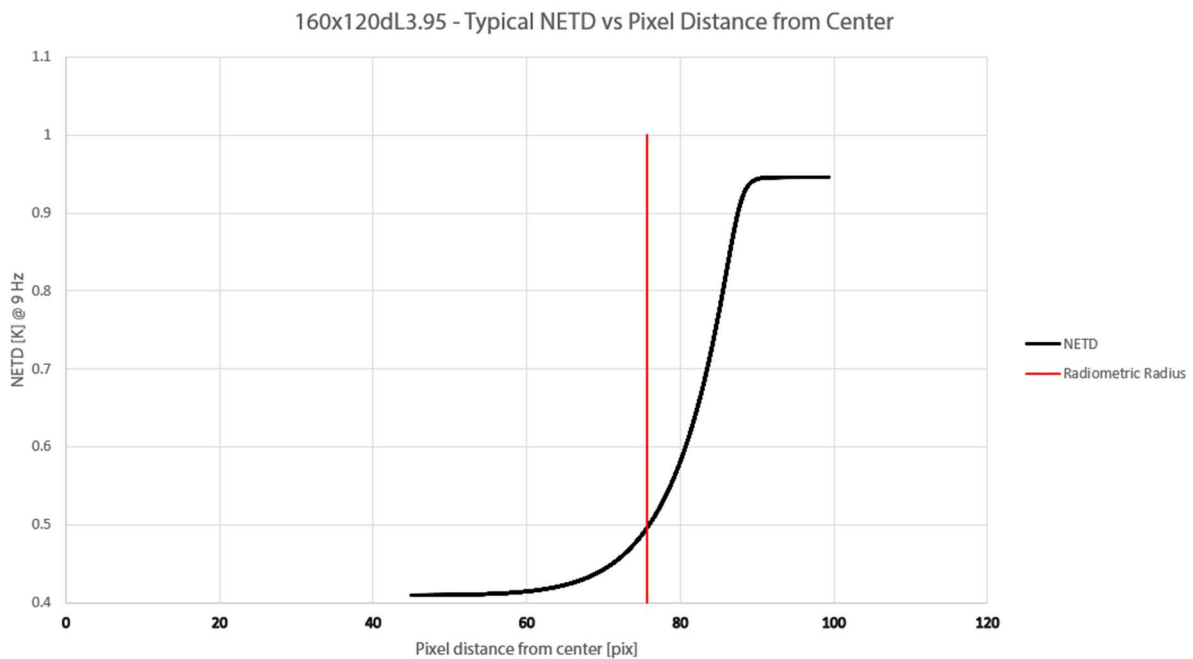


Figure 6: NETD vs pixel distance

10 Electric Specifications

Table 1: Absolute Maximum Ratings

Parameter	Symbol	Condition	MIN.	TYP.	MAX.	Unit
Supply Voltage	VDD		-0.3		3.6	V
Voltage at all inputs and outputs	VIO		-0.3		VDD+0.3	V
Storage Temperature	TSTG		-40		85	Deg. C

Table 2: Operating Conditions

Parameter	Symbol	Condition	MIN.	TYP.	MAX.	Unit
Supply Voltage	VDD		3.3	3.35	3.6	V
Supply Current (sensor running)	IDD		43	45	47	mA
Supply Current (sensor in idle state)	IDD		32	34	36	mA
Standby Current (sensor in sleep state)	ISBY		9	11	13	μA
Operation Temperature	TA		-20		85	Deg. C
ESD-Protection	Human body model		2.0			kV
	100pF + 1k50hm					

Table 3: Electrical Characteristics

Parameter	Symbol	Condition	MIN.	TYP.	MAX.	Unit
Digital Input						
Internal Clock frequency	FCLK		0.5	2.5	5.5	MHz
BIAS current	IBIAS		1	5	13	μA
Input voltage high	VIH		0.7xVDD			V
Input voltage low	VIL				0.3xVDD	V
PTAT						
Temperature range			TBD	TBD	TBD	Deg. C
PTAT gradient			TBD	TBD	TBD	K/V

Table 4: Preamplifier / ADC

Parameter	Symbol	Condition	MIN.	TYP.	MAX.	Unit
Chopper frequency	FCHP			40		kHz
Preamplifier Noise	NPA	at 20 kHz		75		nV/Hz ^{1/2}
Frame rate (Full Array)	FR1		6	9	15	Hz
Frame rate (Twelfth part Array)	FR12		72	108	180	Hz
ADC pos. Reference	VREFP	REF_CAL 00		1.664		V
		REF_CAL 01		1.566		
		REF_CAL 10		1.469		
		REF_CAL 11		1.371		
ADC neg. Reference	VREFN	REF_CAL 00		0.881		V
		REF_CAL 01		0.979		
		REF_CAL 10		1.077		
		REF_CAL 11		1.175		
ADC resolution	ADCLSB	at 16 Bit	5.8		24.1	μV

11 SPI Timings HTPA160x120d

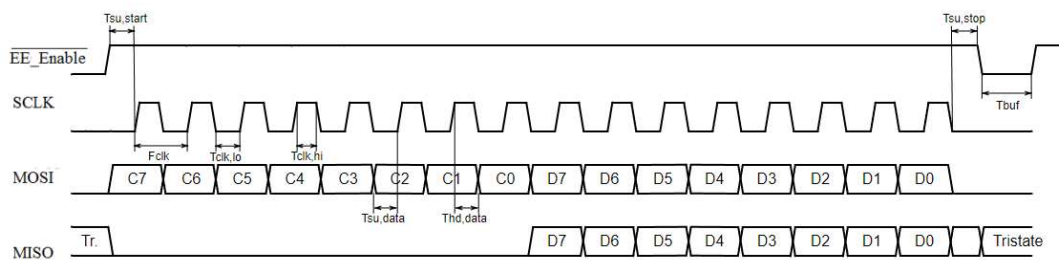


Figure 7: SPI Timings HTPA160x120d

Table 5: SPI Timings

Parameter	Symbol	MIN.	TYP.	MAX.	Unit
SPI clock frequency	FCLK		10	13	MHz
Low pulse duration	T _{CLK,lo}	30			ns
High pulse duration	T _{CLK,hi}	40			ns
Data set up time	T _{SU,data}	30			ns
Data hold time	T _{hd,data}	10			ns
Start setup time	T _{SU,start}	50			ns
Stop setup time	T _{SU,stop}	50			ns
Time between STOP/ START	T _{buf}	200			ns
Time startup (after Power-on Reset)	T _{startup}			100	μs
Time wakeup (after sending WAKEUP)	T _{wakeup}			80	μs

12 SPI Communication

The chip uses the 8-bit command for accessing configuration and sensor data.

The $\overline{EE_Enable}$ pin is utilized to switch the communication between sensor and internal non-volatile memory. Due to the need to toggle the $\overline{EE_Enable}$ pin the sensor with integrated FLASH requires a separate SPI interface. No other parts should use the same SPI lines, in order to make sure, that the parts can be selected correctly during communication.”

12.1 Write Command

In case of a write access to an internal register the command is followed by the data byte.

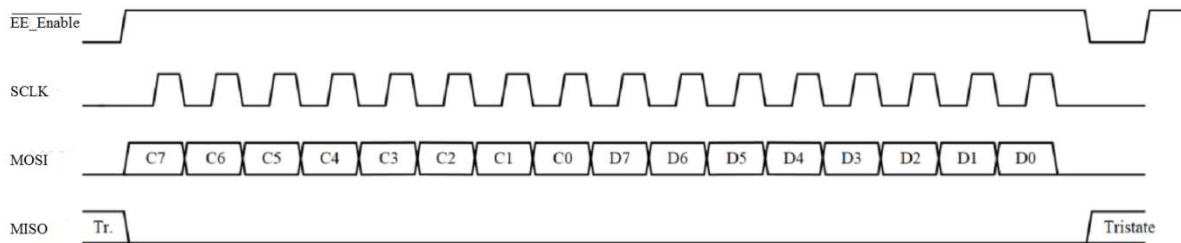


Figure 8: Write Command

12.2 Read Command

To read data from the chip first the read command must be sent. The command initiates the read sequence and the first bit of read bytes will be set on MISO with falling edge of SCLK after last command bit. There can be as many byte reads as required.

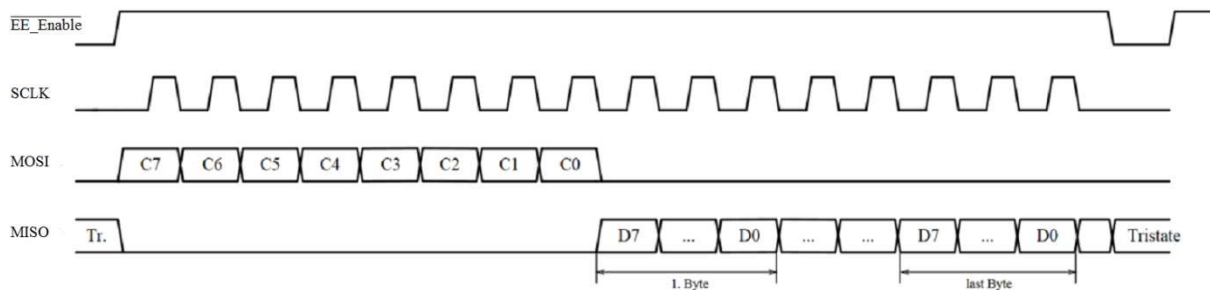


Figure 9: Read Command

12.3 Sensor Commands

The sensor has several registers that can be written and read, they are listed below.

Table 6: Configuration register (write only)

Addr / CMD	0x01							
Status Reg	7	6	5	4	3	2	1	0
Name	BLOCK				START	RFU	BLIND	WAKEUP
Default	0	0	0	0	0	0	0	0

The WAKEUP bit is used to switch on / off the chip and must be set prior all other operations. After the START bit is set the chip starts a conversion of the array or blind elements and enters the idle state (not sleep!) when finished. The BLOCK selects one of the 12 multiplexed array blocks.

If the BLIND bit is set the electrical offsets are sampled instead of the active pixel and the setting of the BLOCK is ignored.

RFU means reserved for future use and can be subject to change.

Table 7: Status Register (read only)

Addr / CMD	0x02							
Status Reg	7	6	5	4	3	2	1	0
Name	BLOCK				RFU	RFU	BLIND	EOC
Default	0	0	0	0	0	0	0	0

If the EOC flag is set a previous started conversion has been finished.

Table 8: Trim Register 1 (write only)

Addr / CMD	0x03							
Trim Reg 1	7	6	5	4	3	2	1	0
Name	RFU		REF_CAL		MBIT TRIM			

REF_CAL: selectable amplification

MBIT_TRIM: $m = 4$ to $12 \Rightarrow (m+4)$ bit as ADC resolution

Table 9: Trim Register 2 (write only)

Addr / CMD	0x04							
Trim Reg 2	7	6	5	4	3	2	1	0
Name	BIAS TRIM TOP							

BIAS_TRIM_TOP: 0 to $255 \Rightarrow 1 \mu\text{A}$ to $13 \mu\text{A}$

This setting is used to adjust the BIAS current of the ADC.

Table 10: Trim Register 3 (write only)

Addr / CMD	0x05							
Trim Reg 3	7	6	5	4	3	2	1	0
Name	BIAS TRIM BOT							

BIAS_TRIM_BOT: 0 to 255 \Rightarrow 1 μ A to 13 μ A

This setting is used to adjust the BIAS current of the ADC. A faster clock frequency requires a higher BIAS current setting.

Table 11: Trim Register 4 (write only)

Addr / CMD	0x06							
Trim Reg 4	7	6	5	4	3	2	1	0
Name	RFU		CLK TRIM					

CLK_TRIM ranges from 0 to 63 and corresponds the clock frequency F_{CLK} which can be determined via the following formula:

$$F_{CLK} = \left(F_{CLK,min} + \frac{F_{CLK,max} - F_{CLK,min}}{63} \cdot CLK_TRIM \right) \text{ MHz}$$

with

$$F_{CLK,min} = 0.5 \text{ MHz}$$

$$F_{CLK,max} = 5.5 \text{ MHz}$$

The measure time depends on the clock frequency settings. One quarter frame takes about:

$$t_{conv} \approx \frac{4 \cdot (2^{MBIT} + 100)}{F_{CLK}} \approx 7,75 \text{ ms @ } 2.16 \text{ MHz}$$

MBIT is equal to MBIT TRIM in **Fehler! Verweisquelle konnte nicht gefunden werden..**

The ATC is an Ambient Transient Compensation, which can be used for heat-shock compensation. The calibration and possible heat-shock compensation with the ATC is not yet implemented.

Table 12: Read Data 1 Command (Top Half of Array)

Addr / CMD	0x0A							
Read Data	7	6	5	4	3	2	1	0
1. Byte / 2. Byte	ATC 1 MSB / LSB							
3. Byte / 4. Byte	PTAT 1 MSB / LSB							
5. Byte / 6. Byte	VDD 1 MSB / LSB							
7. Byte / 8. Byte	Pixel (0 + Block*800) MSB / LSB							
9. Byte / 10. Byte	Pixel (1 + Block*800) MSB / LSB							
...	...							
1605. Byte / 1606. Byte	Pixel (799 + Block*800) MSB / LSB							

Table 13: Read Data 2 Command (Bottom Half of Array)

CMD	0x0B							
Read Data	7	6	5	4	3	2	1	0
1. Byte / 2. Byte	ATC 2 MSB / LSB							
3. Byte / 4. Byte	PTAT 2 MSB / LSB							
5. Byte / 6. Byte	VDD 2 MSB / LSB							
7. Byte / 8. Byte	Pixel (19040 - Block*800) MSB / LSB							
9. Byte / 10. Byte	Pixel (19041 - Block*800) MSB / LSB							
...	...							
319. Byte / 320. Byte	Pixel (19199 - Block*800) MSB / LSB							
321. Byte / 322. Byte	Pixel (18880 - Block*800) MSB / LSB							
323. Byte / 324. Byte	Pixel (18881 - Block*800) MSB / LSB							
...	...							
639. Byte / 640. Byte	Pixel (19039 - Block*800) MSB / LSB							
641. Byte / 642. Byte	Pixel (18720 - Block*800) MSB / LSB							
...	...							
1605. Byte / 1606. Byte	Pixel (18559 - Block*800) MSB / LSB							

The complete sensor data must be read at once. If the communication fails somewhere in between, all successive data will be corrupted. The readout can be stopped anywhere. A new initialized readout proceeds at this stopped byte, but the index is reset, when a new conversion has been started.

If the bit for the electrical offsets (Bit 1 in Config 0x01) is set the electrical offsets are sampled and can be read similar to the active pixel:

Table 14: Read Data electrical offsets (Top Half of Array)

CMD	0x0A							
Read Data	7	6	5	4	3	2	1	0
1. Byte / 2. Byte	ATC 1 MSB / LSB							
3. Byte / 4. Byte	PTAT 1 MSB / LSB							
5. Byte / 6. Byte	VDD 1 MSB / LSB							
7. Byte / 8. Byte	electrical offset (0) MSB / LSB							
9. Byte / 10. Byte	electrical offset (1) MSB / LSB							
...	...							
1605. Byte / 1606. Byte	electrical offset (799) MSB / LSB							

Table 15: Read Data electrical offsets (Bottom Half of Array)

CMD	0x0B							
	7	6	5	4	3	2	1	0
Read Data								
1. Byte / 2. Byte	ATC 2 MSB / LSB							
3. Byte / 4. Byte	PTAT 2 MSB / LSB							
5. Byte / 6. Byte	VDD 2 MSB / LSB							
7. Byte / 8. Byte	electrical offset (1440) MSB / LSB							
9. Byte / 10. Byte	electrical offset (1441) MSB / LSB							
...	...							
319. Byte / 320. Byte	electrical offset (1599) MSB / LSB							
321. Byte / 322. Byte	electrical offset (1280) MSB / LSB							
323. Byte / 324. Byte	electrical offset (1281) MSB / LSB							
...	...							
639. Byte / 640. Byte	electrical offset (1439) MSB / LSB							
641. Byte / 642. Byte	electrical offset (1120) MSB / LSB							
...	...							
1605. Byte / 1606. Byte	electrical offset (959) MSB / LSB							

The complete sensor data must be read at once. If the communication fails somewhere in between, all successive data will be corrupted. The readout can be stopped anywhere. A new initialized readout proceeds at this stopped byte, but the index is reset when a new conversion has been started.

13 Integrated Flash Memory

The built-in flash memory is the SST26VF016B from Microchip and is arranged in eight 8-kbyte, two 32-kByte and thirty 64-kByte overlay blocks which consists of 4-kByte erasable sectors.

For further information, please see the corresponding datasheet:

www.microchip.com

14 SPI Example Sequences – Init and Read Thermopile Array

CONFIG REG	WAKEUP
0x01	0x01

TRIM_REG1	MBIT TRIM
0x03	0x0C

TRIM_REG2	BIAS TRIMTOP
0x04	0x0C

TRIM_REG3	BIAS TRIMBOT
0x05	0x0C

TRIM_REG4	CLK_TRIM
0x06	0x14

CONFIG REG	STARTWAKEUP
0x01	0x09

STATUS_REG	STATUS
0x02	??

Wait 30 ms

STATUS_REG	STATUS
0x02	0x01

READ DATA 1	ATC1 MSB	ATC1 LSB	PTAT1 MSB	PTAT1 LSB	VDD1 MSB	VDD1 LSB	P0 MSB	P0 LSB	...	Px.y MSB	Px.y LSB
0x0A	??	??	??	??	??	??	??	??	...	??	??

READ DATA 2	ATC2 MSB	ATC2 LSB	PTAT2 MSB	PTAT2 LSB	VDD2 MSB	VDD2 LSB	P2340 MSB	P2340 LSB	...	Px.y MSB	Px.y LSB
0x0B	??	??	??	??	??	??	??	??	...	??	??

CONFIG REG	SLEEP
0x01	0x00

15 Temperature Calculation

The object and ambient temperature can be calculated from the sensor output and the stored calibration data. The table below is showing an overview of the Flash.

Hex	0x00	0x01	0x02	0x03	0x04	0x05	0x06	0x07	0x08	0x09	0x0A	0x0B	0x0C	0x0D	0x0E	0x0F
0	PixCmn (float)			PixCmx (float)				gradScale				TN as 16 bit unsigned	epsilon			
10			ArrayType				Vdd Meas Th1	Vdd Meas Th2			MBIT(calib)	BIAS TOP(calib)	CLK(calib)	BIAS BOTTOM(calib)		
20					PTAT-gradient (float)				PTAT-offset (float)				PTAT (Th1) [unsigned int]	PTAT (Th2) [unsigned int]		
30														VddScaling	VddScalingOff	
40																
50					GlobalOff	GlobalGain										
60	MBIT(user)	BIAS TOP(user)	CLK(user)	BIAS BOTTOM(user)												
70					DeviceID										NOIDePix	
80	Dead Pix adr															
130	DeadPixMask															
140																
190																
1A0																
180	Free to use															
200																
2100	VddCompGrad stored as 16 bit signed values															
2D70																
2D80	VddCompOff stored as 16 bit signed values															
39F0																
3A00	ThGrad _i stored as 16 bit signed values															
CFF0																
D000	ThOffset _i stored as 16 bit signed values															
165F0																
16600	P _i stored as 16 bit unsigned values															
1FBF0																
1FC00																
453F0	Free to use															

Figure 10: Flash overview 160x120dR1

All values are stored as unsigned 8-bit values unless they are specified otherwise. The little-endian format is used for larger values. Grey marked areas are used during calibration or for future use and are Heimann Sensor reserved.

MBIT(calib), BIAS TOP(calib), CLK(calib), and BIAS BOTTOM(calib) are the settings for the registers, that have been used during calibration. We recommend the usage of calibration settings of MBIT (stored in 0x1A), BIAS TOP (0x1B), CLK (0x1C) and BIAS BOTTOM (0x1D).

MBIT(user), BIAS TOP(user), CLK(user) and BIAS BOTTOM(user) are free to be set by the user.

The temperature calculation is only valid, if the same settings are used, that have been set during calibration!

TN is the table number and has to match the given table number in the sample code.

GlobalOff is stored as an 8-bit signed value, GlobalGain and VddCalib are both stored as 16 bits unsigned.

VDDTH1 and VDDTH2 is the used supply voltage during calibration measured by the sensor itself and stored in Digits.

The corresponding order of $ThGrad_{ij}$, $ThOffset_{ij}$ and P_{ij} to the Pixel number is given by the following overview:

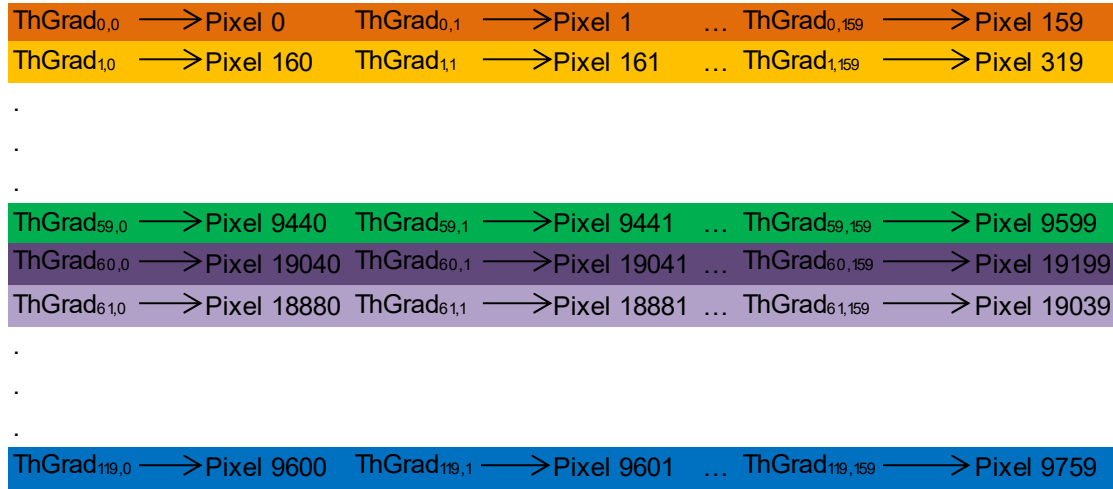


Figure 11: Readout order 160x120dR1

The order of $VddCompGrad_{ij}$ and $VddCompOff_{ij}$ is similar to the electrical Offsets and have to be used block by block.

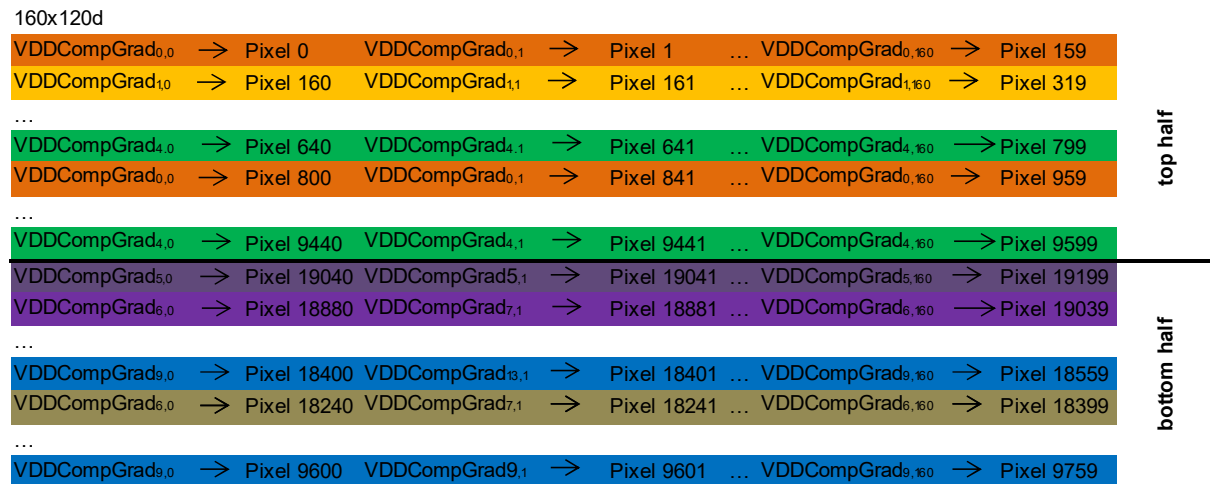


Figure 12: Readout order of VDDCompGrad 160x120dR1

15.1 Ambient Temperature

The ambient temperature (T_a) is calculated from the average measured PTAT value, the PTATgradient and the PTAToffset. It is recommended to use a stack buffer for the PTAT values in order to get a more stable ambient temperature result.

$$T_a = PTAT_{av} \cdot PTAT_{gradient} + PTAT_{offset} \quad (\text{Value is given back in } \text{dK})$$

where:

$PTAT_{gradient}$	is the gradient of the PTAT stored in the FLASH as a float value
$PTAT_{offset}$	is the offset of the PTAT stored in the FLASH as a float value
$PTAT_{av} = \frac{\sum_{i=0}^{23} PTAT_i}{24}$	is the average measured PTAT value

15.2 Thermal Offset

The thermal offset of the sensor needs to be subtracted for each pixel to compensate for any thermal drifts.

$$V_{ij_Comp} = V_{ij} - \frac{ThGrad_{ij} \cdot PTAT_{av}}{2gradScale} - ThOffset_{ij}$$

where:

ij	represents the row (i) and column (j) of the pixel
V_{ij_Comp}	is the thermal offset compensated voltage
V_{ij}	is the raw pixel data (digital), readout from the RAM
$ThGrad_{ij}$	is the thermal gradient, stored in the FLASH from 0x3B20 to 0x6270
$ThOffset_{ij}$	is the thermal offset, stored in the FLASH from 0x6280 to 0xB130
$gradScale$	is the scaling coefficient for the thermal gradient stored in the FLASH

15.3 Electrical Offset

The electrical offset is used to compensate changes in the supply voltage. This compensation is only a subtraction so it can be done before or after the thermal offset compensation (here done afterwards). It is recommended to use an electrical offset stack in order to get a more stable electrical offset result and a more stable temperature result at the end. The electrical offsets should be sampled every 8th to 10th frame.

The compensation for the top half is done by using the following formula:

$$V_{ij_Comp} * = V_{ij_Comp} - elOffset[(j + i \cdot 160)\%800]$$

and the bottom half analogue with this formula:

$$V_{ij_Comp} * = V_{ij_Comp} - elOffset[(j + i \cdot 160)\%800 + 800]$$

where:

<i>ij</i>	represents the row (i) and column (j) of the pixel and electrical offset
$V_{ij_Comp} *$	is the thermal and electrical offset compensated voltage
V_{ij_Comp}	is the thermal offset compensated voltage
$elOffset_{ij}$	is the electrical offset belonging to Pixel ij
$i\%800$	is the rest of the integer division of i by 800 (e.g. $802\%800=2$)

15.4 Vdd Compensation

A supply voltage compensation called VddComp is used to take care of supply voltage changes. In order to use this compensation the supply voltage of the sensor (Vdd) has to be measured by the sensor from time to time by setting the configuration register and the average of Vdd 1 and Vdd 2 is resulting in Vdd (similar like $PTAT_{av}$). It is recommended to use a VDD stack buffer in order to get a more stable VDD value. The stack should be similar to the PTAT stack.

The compensation for the top half is done by using the following formula:

$$VDD_{av} = \frac{\sum_{i=0}^{23} VDD_i}{24}$$

$$V_{iVDDComp} = V_{iComp} * - \left(\frac{VddCompGrad[(j + i \cdot 160)\%800] \cdot PTAT_{av} + VddCompOff[(j + i \cdot 160)\%800]}{2^{VDDScoff}} \right) \cdot \left(VDD_{av} - VDD_{TH1} - \left(\frac{VDD_{TH} - VDD_{TH}}{PTAT_{TH2} - PTAT_{TH}} \right) \cdot (PTAT_{av} - PTAT_{TH}) \right)$$

and the bottom half analogue with this formula:

$$V_{ijVDDComp} = V_{ijComp} \cdot \frac{\left(\frac{VddCompGrad[(j + i \cdot 160) \% 800 + 800] \cdot PTAT_{av} + VddCompOff[(j + i \cdot 160) \% 800 + 800]}{2^{VDDScGrad}} + VddCompOff[(j + i \cdot 160) \% 800 + 800] \right)}{2^{VDDScOff}} \cdot \left(VDD_{av} - VDD_{TH} - \left(\frac{VDD_{TH2} - VDD_{TH}}{PTAT_{TH} - PTAT_{TH1}} \right) \cdot (PTAT_{av} - PTAT_{TH}) \right)$$

where:

<i>ij</i>	represents the row (i) and column (j) of the pixel
<i>V_{ij_VDDComp}</i>	is the Vdd compensated voltage
<i>V_{ij_Comp} *</i>	is the thermal and electrical offset compensated voltage
<i>VddComGrad[ij]</i>	is the VddComp gradient belonging to Pixel ij
<i>VddComOff[ij]</i>	is the VddComp offset belonging to Pixel ij
<i>i%800</i>	is the rest of the integer division of i by 800 (e.g. 802%800=2)
<i>VDD_{av}</i>	is the average measured supply voltage of the sensor in Digits
<i>VddScGrad</i>	is a scaling coefficient and stored in the FLASH 0x4E
<i>VddScOff</i>	is a scaling coefficient and stored in the FLASH 0x4F
<i>VDD_{TH1}</i>	is the supply voltage during calibration 1 stored in the FLASH 0x26, 0x27
<i>VDD_{TH2}</i>	is the supply voltage during calibration 2 stored in the FLASH 0x28, 0x29
<i>PTAT_{TH1}</i>	is the PTAT value of calibration 1 stored in the FLASH 0x3C, 0x3D
<i>PTAT_{TH2}</i>	is the PTAT value of calibration 2 stored in the FLASH 0x3E, 0x3F

15.5 Object Temperature

The calculation of the object temperature is done by using a look-up table and doing a bi-linear interpolation, the matching table is given by the table number (TN). The table is supplied in a separate file named "Table.c". If you do not have the file, please ask Heimann Sensor for support.

The sensitivity coefficients ($PixC_{ij}$) are calculated in the following way:

$$PixC_{ij} = \left(\frac{P_{ij} \cdot (PixC_{max} - PixC_{min})}{65535} + PixC_{min} \right) \cdot \frac{\epsilon}{100} \cdot \frac{GlobalGain}{10000}$$

where:

$PixC_{ij}$	is the sensitivity coefficient for each pixel
P_{ij}	is the stored sensitivity coefficient scaled to 16-bit
$PixC_{min}$	is the minimum sensitivity coefficient, used for scaling
$PixC_{max}$	is the maximum sensitivity coefficient, used for scaling
ϵ	is the emissivity factor
$GlobalGain$	is a factor for fine tuning of the sensitivity for all Pixel

Leading to a compensation of the pixel voltage

$$V_{if_PixC} = \frac{V_{ij_VDDComp} \cdot PCSCALEVAL}{PixC_{ij}}$$

where:

V_{if_PixC}	is the sensitivity compensated IR voltage
$PCSCALEVAL$	is a defined scaling coefficient, typically set to $1 \cdot 10^8$

16 Example Calculation

Example values:

$$PTAT_{av} = \frac{\sum_{i=0}^{23} PTAT_i}{24} = 38152 \text{ Digits}$$

$$PTAT_{gradient} = 0.0211 \text{ dK/Digit}$$

$$PTAT_{offset} = 2195.0 \text{ dK}$$

$$V_{00} = 34435 \text{ Digits}$$

$$elOffset[0] = 34240$$

$$gradScale = 17$$

$$THGrad_{00} = 87 \rightarrow \text{signcheck } 87$$

$$ThOffset_{00} = 65506 \rightarrow \text{signcheck } -30$$

$$VDD_{av} = 35000$$

$$VDD_{TH} = 33942$$

$$VDD_{TH2} = 36942$$

$$PTAT_{TH1} = 30000$$

$$PTAT_{TH2} = 42000$$

$$VddCompGrad[0] = 10356 \rightarrow \text{signcheck } 10356$$

$$VddCompOff[0] = 51390 \rightarrow \text{signcheck } -14146$$

$$VddScGrad = 16$$

$$VddScOff = 23$$

$$PixC_{00} = 1.087 \cdot 10^8$$

$$PCSCALEVAL = 1 \cdot 10^8$$

Calculation of ambient temperature:

$$Ta = PTAT_{av} \cdot PTAT_{gradient} + PTAT_{offset} = 38152 \cdot 0.0211 + 2195.0 \text{ dK} = 3000 \text{ dK}$$

Compensation of thermal offset:

$$V_{00_Comp} = V_{00} - \frac{ThGrad_{00} \cdot PTAT_{av}}{2^{gradScale}} - ThOffset_{00} = 34435 - \frac{87 \cdot 38152}{2^{17}} - (-30) = 34439$$

Compensation of electrical offset:

$$V_{00_Comp} * = V_{00Comp} - elOffset[0] = 34439 - 24240 = 199$$

Compensation of supply voltage:

$$V_{ij_VDDComp} = V_{ij_Comp} * - \frac{\left(\frac{VddCompGrad[0] \cdot PTAT_{av}}{2^{VddScGrad}} + VDDCompOff[0] \right)}{2^{VddScOff}}$$

$$\cdot \left(VDD_{av} - VDD_{Th1} - \left(\frac{VDD_{TH2} - VDD_{TH1}}{PTAT_{TH2} - PTAT_{TH1}} \right) \cdot (PTAT_{av} - PTAT_{TH}) \right)$$

$$= 199 - \frac{\left(\frac{10356 \cdot 38152}{2^{16}} - 14146 \right) \cdot (35000 - 33942 - 2038)}{2^{23}} = 199 - (1) = 198$$

$$V_{00_PixC} = \frac{198 \cdot 1 \cdot 10^8}{1.087 \cdot 10^8} = 182$$

Ta was calculated before to 3000 dK.

Table 16: Example look-up table

TA[dK]/dig	2882	3032	3182	3332
-64	1494	2128	2491	2775
-32	2466	2692	2898	3091
0	2882	3032	3182	3332
32	3170	3285	3406	3530
64	3396	3491	3592	3699
96	3584	3665	3754	3848
128	3746	3818	3897	3981
160	3890	3954	4025	4102
192	4019	4078	4143	4214
224	4137	4191	4251	4317
256	4246	4296	4351	4413
288	4347	4393	4445	4503
320	4441	4485	4534	4588

The matching region in the look-up table is already marked yellow, the bi-linear interpolation is leading to an object temperature of 4026 dK = 129.4 °C.

A global Offset (GlobalOff) is used for fine tuning of the measured object temperature and has to be added to the object temperature. This value is stored in the FLASH.

16.1 Pixel Masking

A maximum of 96 defect Pixels is allowed on the complete array; this means that at least 99.5 % of the Pixels are working correctly. The amount of defect Pixels is given in the FLASH at address 0x007F and is named *NrOfDefPix*. *DeadPixAdr* is the address of the defect Pixels and *DeadPixMask* determines the neighbours that should be used for masking the pixel. A simple averaging of all selected nearest neighbours is done to overwrite the temperature value of these Pixel. Only the amount of pixels "*NrOfDefPix*" is stored in *DeadPixAdr*. These values are stored as 16 bit unsigned values. For example: If only one pixel has to be masked, then the other values of *DeadPixAdr* are set to 0.

The order of the top and bottom half is the same as the readout order. The neighbours to use is given in a binary format and the order is shown in the overview below in decimal and binary values for the top and bottom half.

$$adaptedAdr [i] = 19200 + 9600 - DeadPixAdr [i] + k[i] * 2 - 160$$

where:

adaptedAdr [i] is the adapted dead pixel address

k[i] is the column of the corresponsive pixel (for pixel number 19039 this would be 159)

$$adaptedAdr [i] = 19200 + 9600 - 19039 + 159 * 2 - 160 = 9919$$

top half

128	1	2
64	DeadPix	4
32	16	8

0b1000 0000	0b0000 0001	0b0000 0010
0b0100 0000	DeadPix	0b0000 0100
0b0010 0000	0b0001 0000	0b0000 1000

bottom half

32	16	8
64	DeadPix	4
128	1	2

0b0010 0000	0b0001 0000	0b0000 1000
0b0100 0000	DeadPix	0b0000 0100
0b1000 0000	0b0000 0001	0b0000 0010

Example values for the masking:

$$NrOfDefPix = 0x03$$

$$DeadPixAdr[0] = 0x002D \rightarrow \text{Pixel } 45$$

$$DeadPixAdr[1] = 0x031F \rightarrow \text{Pixel } 798$$

$DeadPixAdr[2] = 0x1429 \rightarrow Pixel\ 5161(read - out\ pixel)actual\ pixel\ number\ is\ 9841$

$DeadPixMask[0] = 0x7C \rightarrow 0b01111100(top)$

$DeadPixMask[1] = 0x8F \rightarrow 0b10001111(top)$

$DeadPixMask[2] = 0xFE \rightarrow 0b11111110(bot)$

According to the sample values 3 Pixels are defect and need to be interpolated. 2 Pixels are on the top and 1 Pixel on the bottom half. Assuming, that the neighbouring Pixels are having the temperature data stated below and the green marked cells are used for averaging (according to DeadPixMask), then the interpolated temperature will be the following:

All values are given in dK

3007	Pixel 45	3008
3008	3011	3009

Pixel 44	Pixel 45	Pixel 46
Pixel 204	Pixel 205	Pixel 206

3010	3012	3005
3007	Pixel 798	3008
3008	3011	3009

Pixel 637	Pixel 638	Pixel 639
Pixel 797	Pixel 798	Pixel 799
Pixel 957	Pixel 958	Pixel 959

3010	3012	3005
3007	Pixel 9841	3008
3008	3011	3009

Pixel 9680	Pixel 9681	Pixel 9682
Pixel 9840	Pixel 9841	Pixel 9842
Pixel 10000	Pixel 10001	Pixel 10002

If a pixel is masked, the adjacent neighbours must have not more than 4 dead pixels in serial order, if you check them clockwise (or the other way around):

OK

0	1	0
0	0	1
1	0	0

OK

0	1	0
0	0	1
0	0	1

NOK

0	1	1
0	0	1
0	0	0

16.2 Look-up Table

The matching look-up table has to be taken from the "Table.c" file. Here is just shown an exemplary data for one optic.

dig 1, Tai(dK)	2782	2882	2982	3082	3182	3282	3382
-256				1159	1684	2115	2343
-192				1211	2407	2576	2727
-128				2605	2742	2872	2995
-64				2873	2986	3097	3206
0	2782	2882	2982	3082	3182	3282	3382
64	2963	3076	3166	3256	3367	3440	3534
128	3167	3243	3322	3405	3491	3579	3669
192	3316	3385	3459	3537	3619	3703	3790
256	3448	3512	3582	3656	3734	3816	3901
320	3565	3626	3693	3764	3840	3920	4003
384	3673	3731	3794	3864	3938	4016	4097
448	3771	3827	3888	3956	4029	4105	4188
512	3863	3916	3977	4043	4114	4189	4269
576	3948	4000	4059	4124	4194	4269	4348
640	4028	4079	4137	4200	4270	4344	4423
704	4104	4154	4210	4273	4342	4415	4494
768	4176	4224	4280	4342	4410	4484	4561
832	4244	4292	4346	4408	4476	4549	4626
896	4309	4356	4410	4471	4538	4611	4689
960	4371	4417	4471	4532	4599	4671	4748
1024	4431	4476	4530	4590	4657	4729	4806
1088	4488	4533	4586	4646	4713	4785	4862
1152	4543	4588	4641	4700	4767	4839	4916
1216	4597	4641	4693	4753	4819	4891	4968
1280	4648	4692	4744	4803	4869	4941	5018
1344	4698	4742	4793	4852	4919	4990	5067
1408	4746	4790	4841	4900	4966	5038	5115
1472	4793	4836	4888	4946	5012	5084	5162
1536	4839	4881	4933	4991	5057	5129	5207
1600	4883	4926	4977	5035	5101	5173	5251
1664	4926	4968	5019	5078	5144	5216	5294
1728	4968	5010	5061	5120	5185	5258	5336
1792	5009	5051	5102	5160	5226	5299	5377
1856	5049	5091	5142	5200	5266	5338	5417
1920	5088	5130	5181	5239	5305	5377	5456
1984	5126	5168	5219	5277	5343	5416	5494
2048	5164	5206	5256	5314	5380	5453	5532
2112	5200	5242	5292	5351	5417	5490	5569
2176	5236	5277	5328	5386	5453	5526	5605
2240	5271	5312	5363	5421	5488	5561	5640
2304	5305	5347	5397	5456	5522	5595	5674
2368	5339	5380	5431	5490	5556	5629	5709
2432	5372	5413	5464	5523	5589	5663	5742
2496	5405	5446	5496	5555	5622	5695	5774
2560	5437	5478	5528	5587	5654	5727	5806
2624	5468	5509	5559	5618	5685	5758	5837
2688	5499	5540	5590	5649	5716	5789	5868
2752	5529	5570	5621	5680	5747	5820	5900
2816	5559	5600	5651	5710	5777	5850	5930
2880	5588	5629	5680	5739	5806	5879	5959
2944	5617	5658	5709	5768	5835	5908	5988
3008	5646	5687	5737	5796	5863	5936	6016
3072	5674	5715	5765	5825	5892	5965	6045
3136	5701	5742	5793	5853	5920	5993	6073
3200	5729	5770	5820	5880	5947	6020	6100
3264	5756	5797	5847	5907	5975	6048	6128
3328	5782	5823	5874	5934	6002	6075	6155
3392	5808	5849	5900	5960	6028	6101	6181
3456	5834	5875	5926	5986	6054	6127	6207
3520	5859	5900	5951	6011	6079	6152	6232
3584	5885	5926	5977	6037	6105	6178	6258
3648	5909	5950	6001	6062	6131	6204	6284
3712	5934	5975	6026	6086	6155	6228	6308
3776	5958	5999	6050	6110	6179	6252	6332
3840	5982	6023	6074	6135	6204	6277	6357
3904	6006	6047	6098	6159	6228	6301	6381
3968	6029	6070	6121	6182	6252	6325	6405
4032	6052	6093	6144	6205	6275	6348	6428
4096	6075	6116	6167	6228	6298	6371	6451
4160	6097	6139	6190	6251	6321	6394	6474
4224	6120	6161	6212	6273	6344	6417	6497
4288	6142	6183	6235	6296	6366	6439	6519
4352	6164	6205	6257	6318	6388	6461	6541
4416	6185	6227	6278	6340	6410	6483	6564
4480	6207	6248	6300	6361	6432	6505	6585
4544	6228	6269	6321	6383	6453	6526	6606
4608	6249	6290	6342	6404	6475	6548	6629
4672	6269	6311	6363	6425	6496	6569	6651
4736	6291	6332	6384	6446	6516	6589	6672
4800	6310	6352	6404	6466	6537	6610	6693
4864	6330	6372	6424	6486	6558	6631	6714
4928	6350	6392	6444	6507	6578	6651	6734
4992	6370	6412	6464	6527	6598	6671	6754
5056	6391	6433	6484	6546	6617	6690	6775
5120	6409	6451	6503	6566	6638	6711	6795
5184	6428	6470	6523	6585	6657	6730	6814
5248	6447	6489	6542	6605	6677	6750	6834
5312	6466	6508	6561	6624	6696	6769	6854
5376	6485	6527	6580	6643	6715	6788	6874
5440	6504	6546	6599	6661	6734	6807	6894
5504	6522	6564	6617	6680	6752	6825	6912
5568	6540	6582	6635	6697	6771	6844	6932
5632	6558	6600	6653	6717	6791	6864	6954
5696	6576	6618	6672	6735	6808	6881	6972
5760	6594	6636	6690	6753	6826	6899	6987
5824	6612	6654	6707	6771	6844	6917	7005
5888	6629	6672	6725	6789	6862	6935	7023
5952	6647	6689	6742	6806	6879	6952	7040
6016	6664	6706	6760	6824	6897	6970	7059
6080	6681	6723	6777	6841	6914	6987	7077
6144	6698	6741	6794	6858	6931	7004	7104
6208	6715	6757	6811	6875	6949	7023	7122
6272	6732	6774	6828	6892	6966	7040	7139
6336	6748	6791	6845	6909	6983	7056	7156
6400	6765	6807	6861	6925	6999	7073	7174
6464	6781	6824	6878	6942	7016	7090	7191
6528	6797	6840	6894	6959	7033	7107	7207
6592	6813	6856	6910	6975	7050	7124	7224
6656	6830	6872	6927	6991	7066	7140	7241
6720	6845	6888	6943	7007	7082	7156	7257
6784	6861	6904	6959	7023	7098	7172	7274

6848	6877	6920	6974	7039	7114	7198	7290
6912	6892	6936	6990	7055	7130	7214	7306
6976	6908	6951	7006	7071	7146	7230	7322
7040	6923	6966	7021	7086	7163	7246	7338
7104	6939	6982	7036	7102	7177	7262	7354
7168	6954	6997	7052	7117	7193	7277	7370
7232	6969	7012	7067	7133	7208	7293	7386
7296	6984	7027	7082	7148	7223	7308	7401
7360	6999	7042	7097	7163	7238	7324	7417
7424	7014	7057	7112	7178	7254	7339	7432
7488	7028	7072	7127	7193	7269	7354	7447
7552	7043	7086	7141	7207	7284	7369	7462
7616	7057	7101	7156	7222	7298	7384	7478
7680	7072	7115	7171	7237	7313	7399	7493
7744	7086	7130	7185	7251	7328	7414	7507
7808	7100	7144	7199	7265	7342	7428	7522
7872	7114	7158	7214	7280	7357	7443	7537
7936	7129	7172	7228	7294	7371	7457	7552
8000	7143	7186	7242	7308	7385	7471	7566
8064	7158	7200	7256	7322	7400	7486	7581
8128	7170	7214	7270	7337	7414	7500	7595
8192	7184	7228	7284	7351	7428	7515	7609
8256	7198	7242	7298	7365	7442	7529	7624
8320	7211	7255	7311	7378	7456	7543	7638
8384	7225	7269	7325	7392	7470	7557	7652
8448	7238	7282	7338	7406	7483	7570	7666
8512	7252	7296	7352	7419	7497	7584	7680
8576	7265	7309	7365	7433	7511	7598	7694
8640	7278	7322	7379	7446	7524	7611	7705
8704	7291	7336	7392	7460	7538	7625	7721
8768	7304	7349	7405	7473	7551	7639	7735
8832	7317	7362	7418	7486	7564	7652	7748
8896	7330	7375	7431	7499	7578	7665	7762
8960	7343	7388	7444	7512	7591	7678	7775
9024	7356	7401	7457	7525	7604	7692	7789
9088	7369	7413	7470	7538	7617	7705	7802
9152	7382	7426	7483	7551	7630	7718	7815
9216	7394	7438	7496	7564	7643	7731	7828
9280	7407	7451	7508	7577	7656	7744	7841
9344	7419	7464	7521	7590	7669	7757	7854
9408	7432	7476	7533	7602	7681	7770	7867
9472	7444	7489	7546	7614	7694	7783	7880
9536	7456	7501	7558	7627	7706	7795	7893
9600	7468	7513	7571	7640	7719	7808	7906
9664	7481	7526	7583	7			

17 Order Code Chart

HTPA160x120d	R1	L3.95/0.8		UHi	A (USB)
HTPA160x120d	R1	L3.95/0.8		UHi	M (PoE)
HTPA160x120d	R1	L3.95/0.8		UHi	C
HTPA160x120d	R1	L4.8/0.8		UHi	A (USB)
HTPA160x120d	R1	L4.8/0.8		UHi	M (PoE)
HTPA160x120d	R1	L4.8/0.8		UHi	C
HTPA160x120d	R1	L10/0.72	F7.7	UHi	A (USB)
HTPA160x120d	R1	L10/0.72	F7.7	UHi	M (PoE)
HTPA160x120d	R1	L10/0.72	F7.7	UHi	C

Bold: Selectable options

Regular: Fixed/Not selectable

18 Outer Dimension

